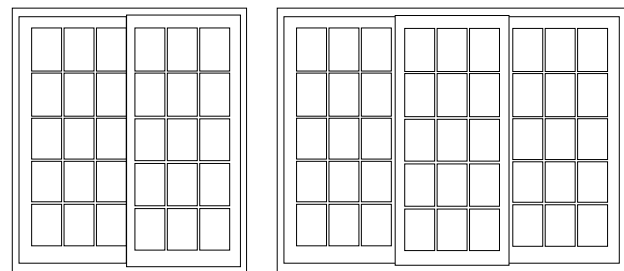


1. Secure deep interlock
2. Quad weather-sealed meeting rails equal eight (8) fin type weather strips for maximum air barrier
3. Full 1" IGU to accommodate VyView™ mini-blinds that lift and tilt
4. Full height steel reinforced meeting rails for strength
5. 4mm tempered glass included in the following insulated glass options:
Energy Saver Plus™
Energy Saver Max™
Energy Saver Ultimate™

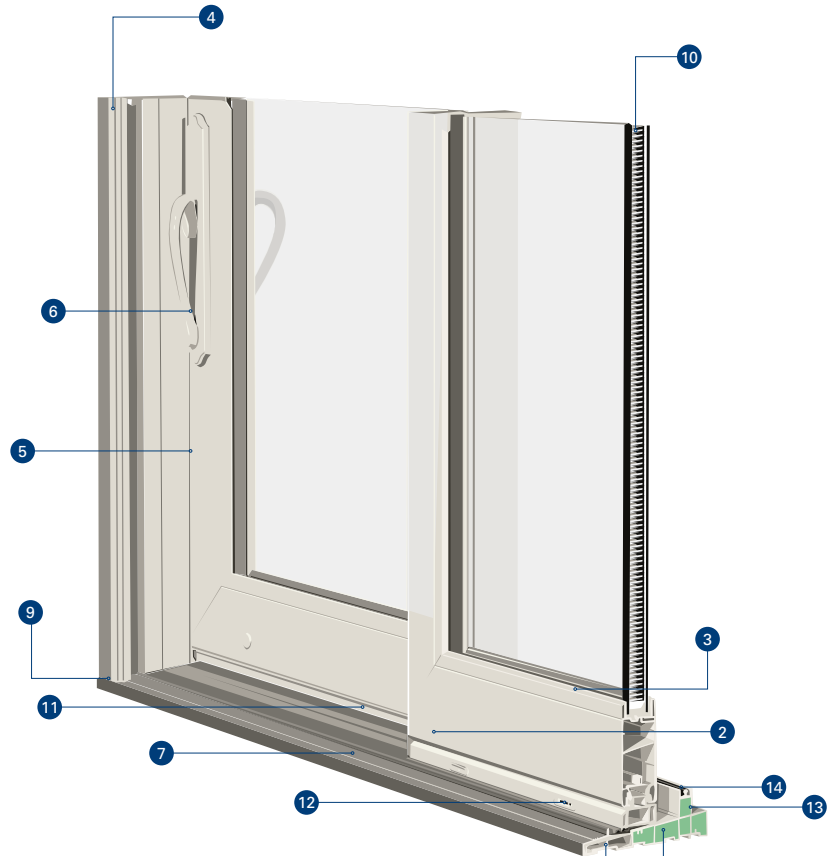


2-Panel Sliding Patio Door

- 5068** 59.000" x 79.500"
- 6068** 71.000" x 79.500"
- 8068** 95.000" x 79.500"

3-Panel Sliding Patio Door

- 9068** 106.625" x 79.500"
- 12068** 142.625" x 79.500"



1. VyCore™ foam insulation
2. Fusion-welded sash
3. Beveled exterior sash
4. Sculptured exterior frame detail
5. Stainless steel head-to-sill multi-point locking system
6. Designer handle sets
7. Aluminum threshold
8. Multi-chambered frame
9. Knocked-down frame for ease of installation
10. Vytex DuraTex™ warm edge spacer system
11. Adjustable dual tandem rollers
12. Custom-designed drainage system
13. High-performance sill dam
14. Steel roller cover for smooth operation

Signature Sliding Patio Doors



Vytexwindows
Clearly, a Cut Above™

Toll free at **1-877-747-8735** or visit
VytexWindows.com



Vytexwindows
Clearly, a Cut Above™



Vytex Signature Sliding Patio Doors offer a variety of options to improve the beauty and energy efficiency of your home.

Three Energy-Saving Glass Packages:

Energy Saver Plus™

- Double-paned with one pane of Low-E glass.
- Argon gas-filled insulated glass unit (IGU)—six times more dense than air.

Energy Saver Max™

- Triple-paned with two panes of Low-E glass.
- Argon gas-filled IGU.

Energy Saver Ultimate™

- Triple-paned with two panes of Low-E glass.
- Krypton gas-filled IGU—12 times more dense than air.



Vytex DuraTex™ Warm Edge Spacer System

Our warm edge spacer system increases your energy savings by:

- Insulating frame and edge of glass up to 90% better than other spacer systems.
- Improving performance of argon and krypton gas-filled IGUs and Low-E glass.
- Reducing conductivity and total window U-value (heat transfer).
- Improving resistance to condensation.

VyCore™ Foam Insulation

The Vytex exclusive insulation system increases the patio door's R-value—resistance to heat flow—for maximum insulating performance (standard in all frames).

Note: Energy Saver Max™ and Energy Saver Ultimate™ available on 5' and 6' standard height doors only.

VyView™ Blinds

VyView™ blinds instantly increase the privacy and beauty of your patio doors. "Between-the-glass" design is easy to operate and keeps your blinds free from dust and allergens. (Available in white. For clear IGUs only.)



VyCoat™ Exterior Coating System

Add durability and long-lasting beauty with this environmentally friendly, low maintenance exterior color coating system, available in more than 25 colors.



Swatch colors in this brochure are only approximate.

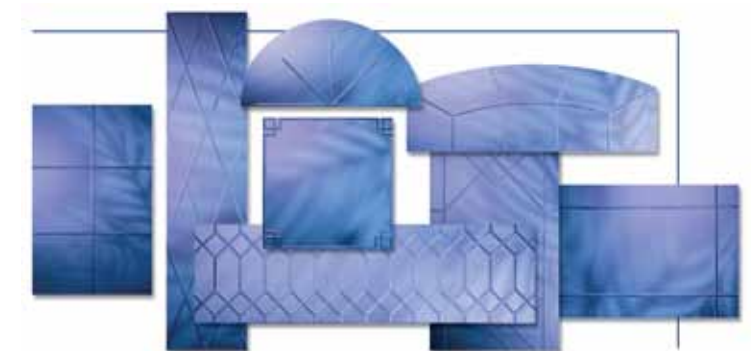
Simulated Divided Lites (SDLs)

Create a custom look with our SDLs, available in a variety of colors and configurations. SDLs add the look of a real wood divided lite sash.



DesignerGrid™ Custom Grid Options

The beauty of cut glass—rainbows of colors, illustrations of shape and depth.



Additional Accessories

Further customize your patio doors with the following accessories:

- Handles with key locks in bright brass, antique brass, white, or satin nickel
- Security bar
- Kick lock

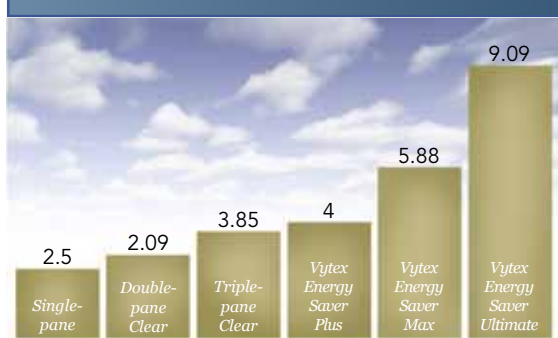


Vytex Signature Sliding Patio Doors go beyond traditional sliding doors to combine sophisticated style with energy-saving technology and exceptional durability.

Our precision-engineered, extruded vinyl, premium patio doors feature two- or three-panel design to allow maximum light penetration. Insulated glass units (IGUs), multi-chambered insulating frames, and weather-stripped interlocks keep drafts, leaks, and noise from entering your home. Built to last, the beautifully sculpted master frame and fusion-welded sash panels have been engineered to prevent air and water infiltration. Steel, zinc-coated tandem rollers guarantee years of quiet, smooth operation. Standard features include a head-to-sill stainless steel multi-point locking system, white handle with no keylock, and screen.



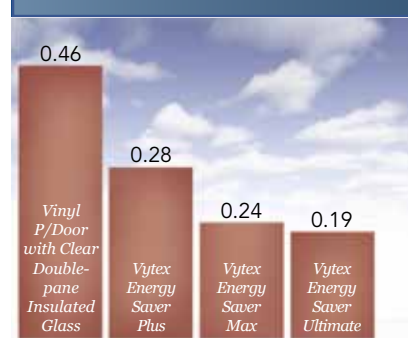
Higher R-Value = Greater Comfort
number = r-value*



The higher the R-value of the glass package, the higher the insulation value of the glass—and the greater comfort and energy efficiency of your home! Note: 4mm glass used

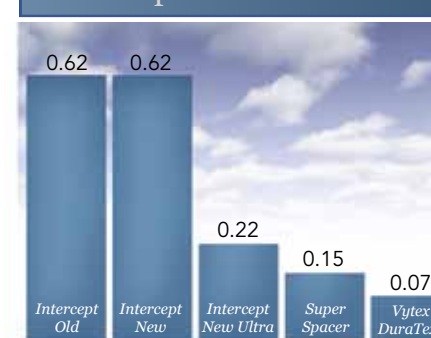
• Center of Glass R-Value

Overall Patio Door U-value
number = u-value



The lower the U-value, the greater your protection from heat loss through your sliding patio doors. Note: 4mm glass used

Thermal Conductivity of
Spacer Materials



The lower the thermal conductivity, the warmer the glass—and the more comfortable you feel. Vytex DuraTex™ Warm Edge Spacer System offers a 50% improvement in thermal conductivity over Super Spacer and an 80% improvement over Intercept.

